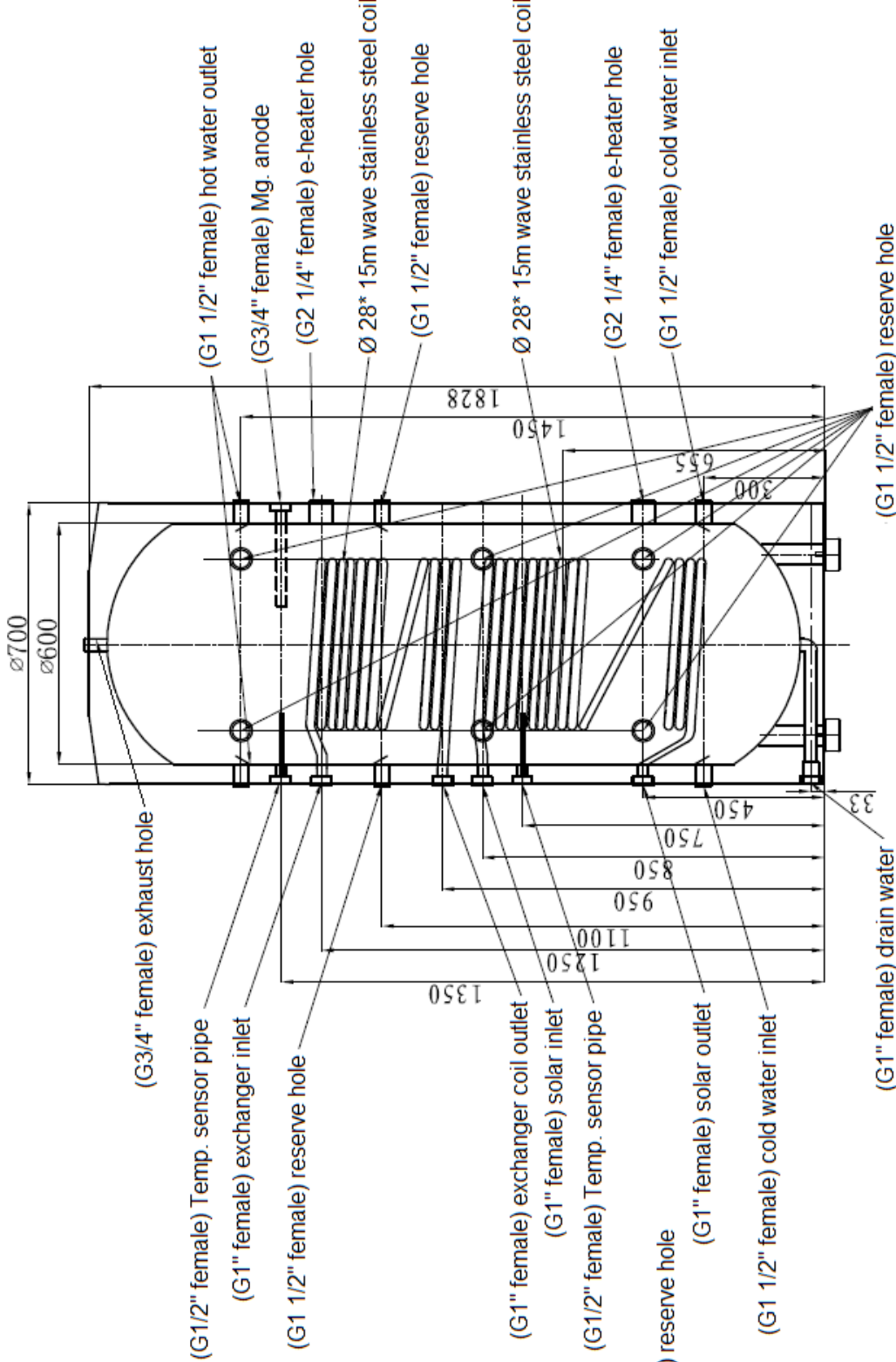
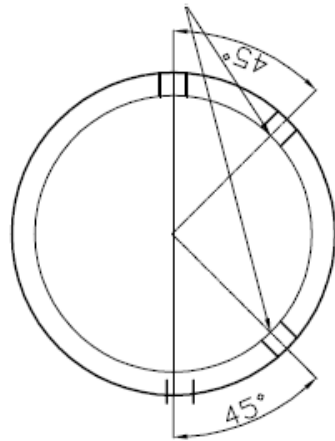


ESP-500E 12 port Buffer with twin coil



Technical Remarks

1. Diameter $\phi 700\text{mm}$
2. All connections are female connectors
3. Inside material is SUS304; thickness $\delta = 2.0\text{mm}$
Outside shell $\delta = 0.5\text{mm}$ normal steel with white painting and black top cover
4. Insulation thickness is 50mm



Earth Save Product
 Woodside Farm, Long Wittenham, OXON, OX14 4PT
www.esavep.com
infoesp@esavep.com
 01235 815569
 01865 407769

